





# Infinity®

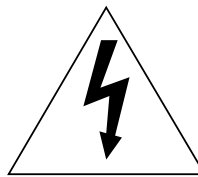
[COMPOSITIONS]<sup>™</sup>  
OVERTURE

*Models OVTR 2, OVTR 3  
3-Way Full-Range Floorstanding Speakers*

## Owner's Manual

OVTR 2 Part #331250 – USA 120 Vac Only  
OVTR 3 Part #331251 – USA 120 Vac Only

	<b>CAUTION</b> RISK OF ELECTRIC SHOCK DO NOT OPEN	
<p>CAUTION: TO REDUCE THE RISK OF ELECTRIC SHOCK, DO NOT REMOVE COVER (OR BACK). NO USER-SERVICEABLE PARTS INSIDE. REFER SERVICING TO QUALIFIED SERVICE PERSONNEL.</p>		



*The lightning flash with arrowhead symbol, within an equilateral triangle, is intended to alert the user to the presence of uninsulated “dangerous voltage” within the product’s enclosure that may be of sufficient magnitude to constitute a risk of electric shock to persons.*



*The exclamation point within an equilateral triangle is intended to alert the user to the presence of important operating and maintenance (servicing) instructions in the literature accompanying the product.*

***THIS INFINITY PRODUCT IS DESIGNED FOR (USA) 120 VOLT USE ONLY!  
FOR DETAILED SAFETY PRECAUTIONS, PLEASE SEE THE ENCLOSED  
LEAFLET “IMPORTANT SAFETY INSTRUCTIONS” (P/N 330100-001).***

## 3-WAY FLOOR-STANDING SPEAKERS WITH INTEGRATED POWERED SUBWOOFERS...

## ABOUT THIS MANUAL...

## PARTS LIST...

## TOOLS AND SUPPLIES (NOT ENCLOSED)...

# INTRODUCTION

Infinity Compositions Overture OVTR 2 and OVTR 3 speaker systems are a pair of advanced, 3-way full-range, floor-standing speakers with integrated powered subwoofers. Housed in slender columns, these highly-efficient speakers require only minimal power to produce sound levels greater than those heard in a movie theater. Moreover, even though they excel at reproduction of front left and right home-theater channels, you'll find these speakers also provide the highest musical fulfillment when listening to CDs, LPs, or tapes.

To start enjoying your new Compositions Overture speakers, first read and then perform all instructions listed in this manual, as well as those found in the owner's manuals of associated components in your audio system. Also, please read the enclosed *Important Safety Instructions* for detailed safety precautions. Save all instructions for future reference. These speakers are covered by a limited five-year warranty (see page 12), so save the bill of sale to protect your purchase and aid in any service-related questions.

# UNPACKING THE SPEAKERS

Finish unpacking each speaker box. If you suspect damage from transit, report it immediately to your dealer and/or delivery service. Keep the shipping cartons and packing materials for future use. Open each accessory pack and verify the following contents:

- ◆ (4) Feet
- ◆ (4) Locking Nuts
- ◆ (4) Nylon Domes
- ◆ (1) Wrench
- ◆ (2) Spare 5 A (250 V) Fuses for OVTR 2 or  
(2) Spare 7 A (250 V) Fuses for OVTR 3
- ◆ Owner's Manual (P/N 331350-001) and Warranty Registration Card

You may also need the following tools and supplies:

- ◆ High-quality speaker wire (also see *Wiring The System* on page 5)
- ◆ Wire strippers
- ◆ Small flat-blade screwdriver (for fuse replacement, if needed)
- ◆ (4) Banana plugs or spade terminals (optional)
- ◆ Level (optional for adjusting feet)

# INSTALLING THE FEET

Compositions Overture OVTR 2 and OVTR 3 speakers use dual-purpose feet with spike and round ends for carpeted or hard-surface floors. Refer to Figures 1 and 2 as you perform the following steps:

1. Lay each speaker on its side and locate the four threaded holes on the bottom (see Figure 1).

## **IMPORTANT!**

***For safety reasons, each speaker base contains a cord channel designed to keep the ac power cord away from the feet. During shipping, the cord may become dislodged from its intended position and upon subsequent speaker placement may be accidentally pierced by spiked feet. Please make sure that the 120 Vac power cord is inside the cord channel (see Figure 1).***

Figure 1. This bottom view shows the four locations of the foot holes and the ac cord channel on a Compositions Overture OVTR 2 or OVTR 3 speaker.

**NOTE:** Do not unfasten any screws. There are no user-serviceable parts inside the speaker. For service, please contact an authorized Infinity technician for help (also see “Troubleshooting” on page 8 and “Limited Five-Year Warranty” on page 12).

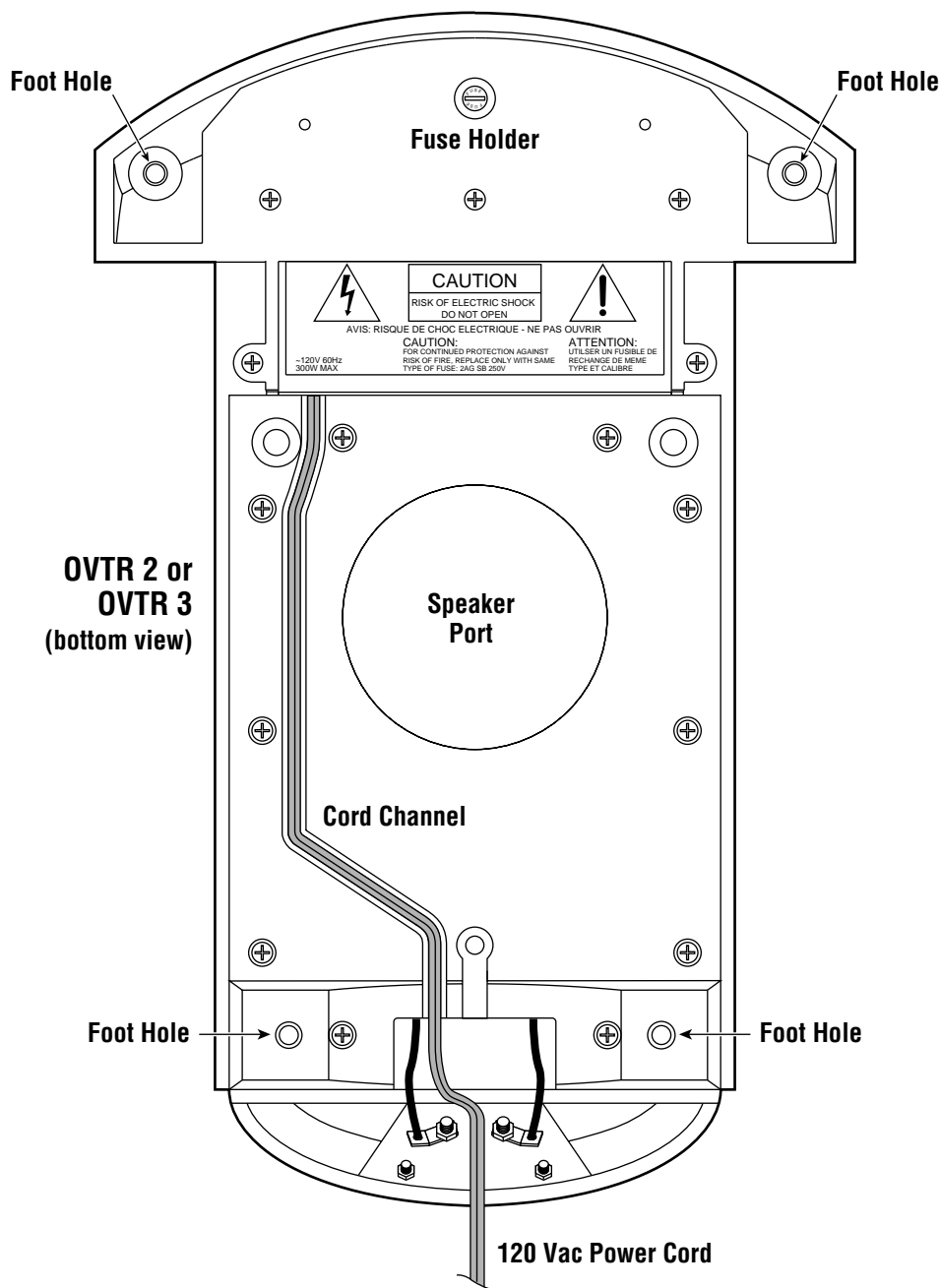
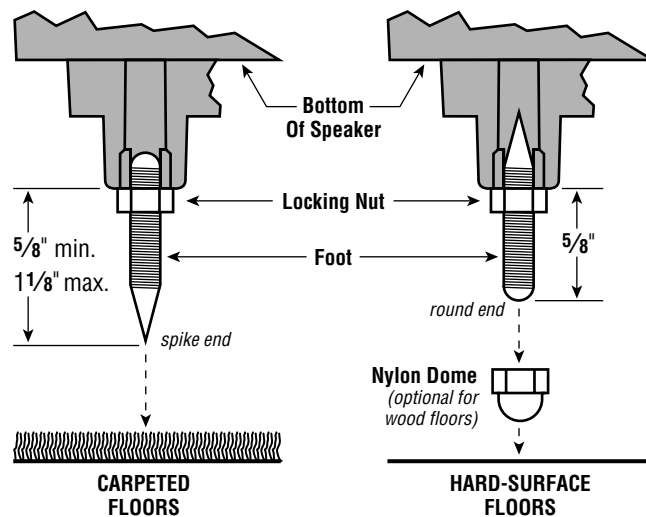


Figure 2. This cross-section shows how to install a foot onto the bottom of a Compositions Overture OVTR 2 or OVTR 3 speaker.



2. For carpets, screw the round end of a foot into each hole and hand-tighten a nut onto each one (see Figure 2). Leave a minimum of  $\frac{5}{8}$ " exposed spike to keep the carpet from blocking the port. (On thicker carpets, you can increase the length of exposed spike up to  $1\frac{1}{8}$ ").  
For hard-surface floors, screw the spike end into each hole instead and leave  $\frac{5}{8}$ " of round end exposed.
3. Carefully flip each speaker upright to sit on its feet.
4. If needed, adjust the feet so each speaker is level and then tighten each nut with the enclosed wrench. To protect hard surfaces (e.g., wood floors), thread a nylon dome onto each round end (see Figure 2).

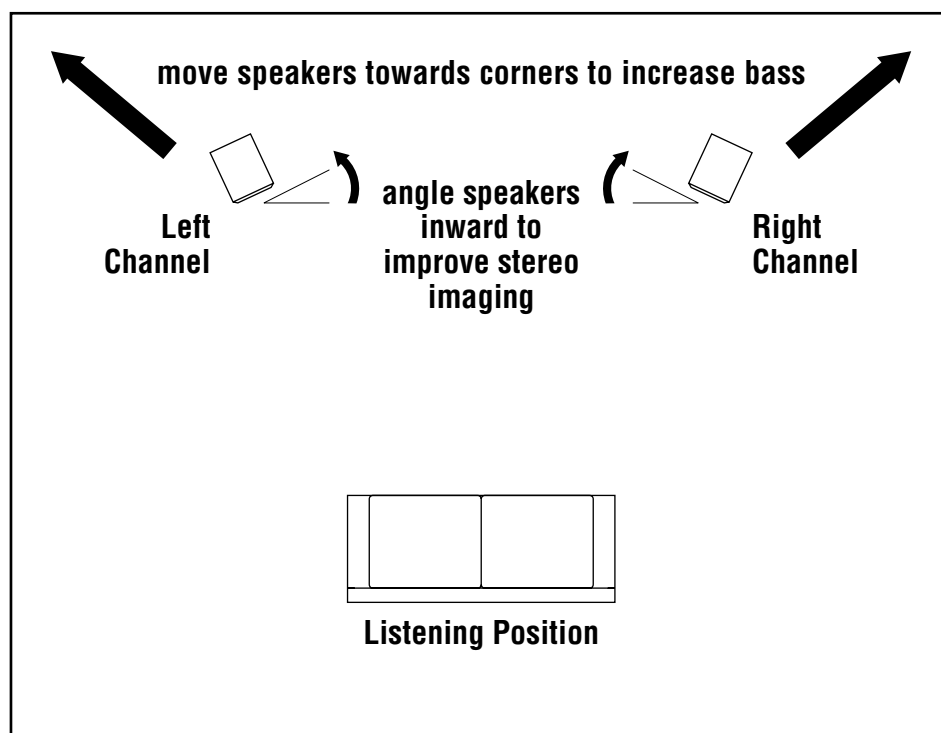
## PLANNING YOUR SYSTEM

### STEREO PLACEMENT...

Before deciding where to put your Compositions Overture speakers, survey your room and think about placement, keeping the following points in mind:

- ◆ For best results, try placing the speakers closer together than the distance to the listening area.
- ◆ Refer to Figure 3 when placing speakers for best bass level and stereo image (also see *Operating The System* on page 6).

*Figure 3. Experiment with speaker placement to obtain the best bass level and stereo imaging in your room.*



### HOME THEATER PLACEMENT...

Compositions Overture speakers are also suitable for use in reproducing home theater sound from front left and right channels:

- ◆ Place one Compositions Overture speaker on the left and another on the right, along either side of the television monitor.
- ◆ Since the speakers are magnetically shielded, you can set them in very close without worrying about the field distorting the TV picture.

*NOTE: For maximum home theater enjoyment, your audio system should also include a center-channel speaker and a pair of rear-surround speakers. Moreover, you can add a subwoofer for deep bass impact on sound effects and music. Contact your local Infinity dealer for recommendations on adding these home theater speakers to your system.*

# WIRING THE SYSTEM

## TURN OFF ALL POWER...

### **IMPORTANT!**

After placing the speakers, you are ready to connect your system. First turn off all audio system power. Use high-quality speaker wire to make your connections. For speaker connections, use #18 gauge speaker wire (or #16 for runs over 25 feet) with polarity coding. The side of the wire with a ridge or other coding is usually considered negative polarity (i.e., -). Also, consult the owner's manuals that were included with your amplifier, receiver, or television to confirm connection procedures.

***If your system includes a Dolby® Surround Pro Logic preamplifier or A/V receiver, set the center-channel mode to NORMAL. This will route the low frequencies (below 100 Hz) away from the center-channel speaker to the front left and right speakers.***

### **IMPORTANT!**

Compositions Overture OVTR 2 and OVTR 3 speakers have integrated powered subwoofers and only require one set of output leads for the left and right channels. Observe polarities when making speaker connections, as shown in Figures 4 (below) and 5 (on next page). Connect each + terminal on the back of the amplifier, receiver, or television to the respective + (red) terminal on each Compositions Overture speaker. Similarly, connect the (black) terminals in the same way.

***Do not reverse polarities (i.e., + to - or - to +) when making connections. Doing so will cause poor imaging and diminished bass response.***

### OVTR 3 (rear view)

*Figure 4. Compositions Overture OVTR 2 (not shown) and OVTR 3 speakers feature gold-plated terminals that can be connected in several different ways; e.g., banana plugs, spade terminals, and direct wiring (as shown here).*

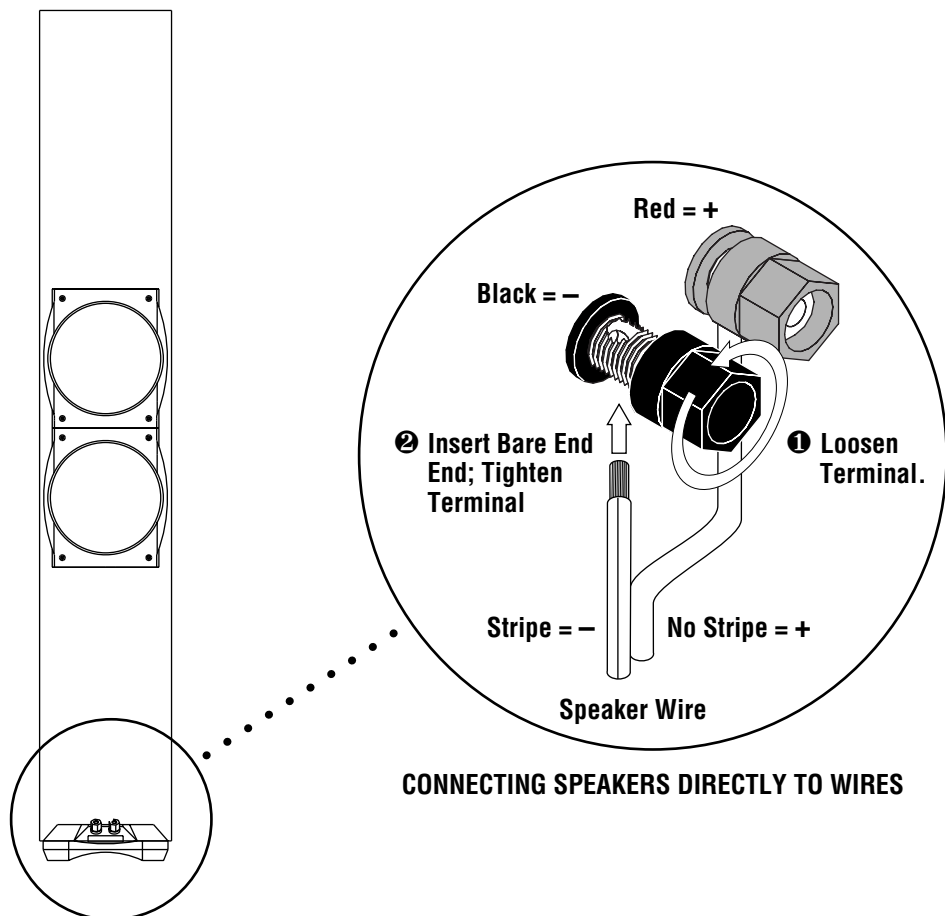
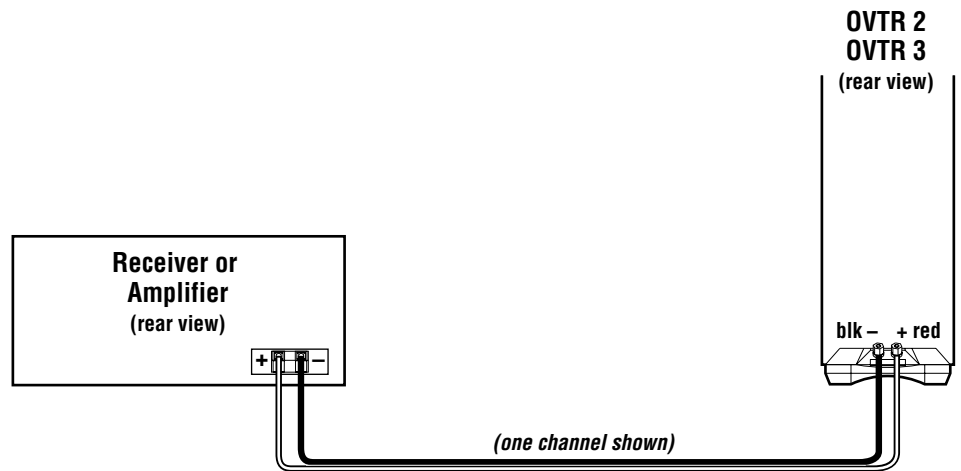


Figure 5. Wiring diagram shows polarity connections for one channel of a stereo or home theater system.



## OPERATING THE SYSTEM

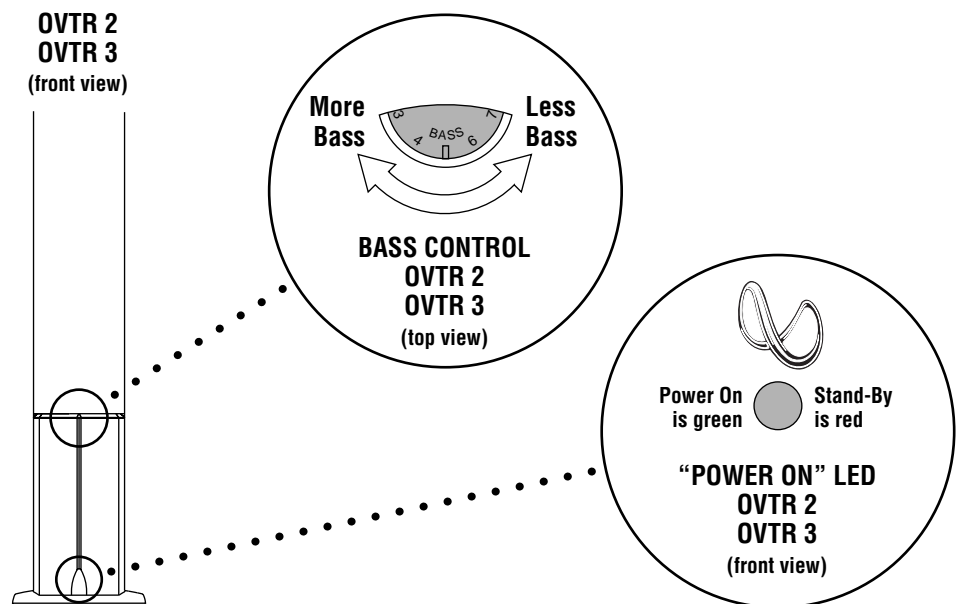
Each Compositions Overture OVTR 2 or OVTR 3 speaker system contains a built-in power amplifier that drives the subwoofers and only requires connection of the ac power cord. For your convenience, the system is not fitted with a power on/off switch. Instead, an auto-sense circuit will instantly switch the system on when an audio signal is present, and will automatically revert to standby (drawing only 7 watts) when audio is absent for a minimum of 10 minutes. A dual-color “Power On” LED (see Figure 6 below) glows red when the amplifier is the stand-by mode and green when the amplifier is on.

If on/off switching is desired, connect the OVTR 2’s (or OVTR 3) ac power cord to an ac switched outlet. If you plan to leave for an extended period of time (e.g., vacation), switch the system off (or unplug the ac power cord).

### **IMPORTANT!**

*This product is designed for (USA) 120 Vac use only. Do not connect it to any other line voltages.*

Figure 6. Located on the OVTR 2 and OVTR 3 front is a BASS level control and a dual-color “Power On” LED.



## OPERATING THE SYSTEM (CONT'D)

### POWER ON...

1. After speaker wiring has been completed, connect each speaker's ac power cord to the nearest ac receptacle. You should see an LED illuminate, indicating the amplifier is on (see Figure 6 on previous page). If not, verify the ac outlet is delivering power or refer to *Troubleshooting* on the next page.

### CHECKING PLAYBACK...

2. Check the speakers for playback by first setting the audio system volume control for a minimum level, and then applying power to your system. Play a favorite music or video segment and increase the volume control to a comfortable level.

*NOTE: You should hear balanced audio reproduction across the entire frequency spectrum. If not, check all wiring connections and refer to the "Troubleshooting" section on the next page for more help.*

### JUDGING BASS LEVEL...

3. Listen to a variety of music selections and note the bass level. If you feel there is too much bass, you can reduce it by adjusting the BASS control from the "normal" center-detent position towards the minimum "1" setting (see Figure 6 on previous page). Conversely, if you want more bass output, rotate the level control towards the maximum "9" setting.

*NOTE: The amount of bass you hear will be affected by a number of different factors, including the room's size and shape, the construction materials used to build the room, the listener's position relative to the speakers, and the position of the speakers in the room. If there is too much bass, move the speakers away from nearby walls. Conversely, if you want more bass, place the speakers closer to the walls (also see Figure 3 on page 4).*

## REPLACING THE FUSE

Compositions Overture OVTR 2 and OVTR 3 speakers each use a built-in fuse to protect the subwoofer amplifier. To replace a fuse with a new one (see enclosed spare), perform the following procedure:

1. Unplug the speaker's ac power cord. Then lay the speaker on its side and locate the fuse holder on the bottom (refer to Figure 1 on page 2).
2. Using a small flat-blade screwdriver, place the tip in the indent and turn the fuse cap counter-clockwise.
3. Remove the old fuse and replace it with new one having the same value and rating. For the OVTR 2, use a 2AG 5A SB 250V fuse. For the OVTR 3, use a 2AG 7A SB 250V fuse.

### **IMPORTANT!**

***Do not substitute the blown fuse with another fuse value or rating. Doing so will void the warranty.***

4. Insert the cap holding the new fuse into the holder and turn clockwise to lock it.
5. Carefully flip the speaker upright to sit on its feet. Then plug the speaker's ac power cord back into the nearest ac outlet.

# CARE OF YOUR SPEAKER SYSTEM

The black-ash or cherry wood finish does not require any routine maintenance. When needed, use a soft cloth, dampened with water only, to remove any fingerprints or to wipe off dust. Clean the grille by gentle vacuuming or with a damp cloth.

*NOTE: Do not use any cleaning products or polishes on the cabinet or grille.*

For maximum acoustic transparency, the grille uses a lightweight structure that needs to be handled with care for removal. To remove the grille, gently pull on the corners to unfasten the frame from the cabinet. To replace it, make sure to align the frame pins first and then gently snap the frame into place. Never force the grille frame onto the cabinet.

## TROUBLESHOOTING\*

SYMPTOM	CAUSE	SOLUTION
Bass is too loud	Bass reinforcement in room	Move speakers away from walls
	Bass level is too high	Rotate BASS control towards "1" (see page 7)
Bass sounds distorted	Subwoofer amplifier has reached maximum output	Turn down volume control on receiver or preamplifier
	Bass level on preamp/ receiver is set too high	Set bass and treble flat; use controls sparingly
Distortion with volume control near minimum	Defective receiver or preamplifier; shorted speaker wires	Repair defective receiver or preamplifier
Distortion on music or effects peaks (e.g., pops or noise)	Dynamic soundtrack causes subwoofer to "bottom" out	Turn down master volume control to lower overall range
	Tone controls are set too high	Set bass and treble flat; use controls sparingly
Buzz, hum, or crackle when connecting wires	Connecting wires with power on causes transient signal spikes	Connect wires only when audio system power is off
No sound from speaker system; power LED not on	Power cord not connected; no ac power	Connect ac power cord; check ac outlet
	Blown fuse	Check or replace fuse (see page 7)

*\*If you need further assistance, contact your local Infinity retail dealer.*

# SPECIFICATIONS – OVTR 2

## PERFORMANCE DATA

Frequency Range:	30 ~ 20,000 Hz
Sensitivity:	93 dB @ 2.83 V and 1 m (anechoic conditions)
Impedance:	8 $\Omega$ nominal
Maximum Peak Output:	112 dB (spl on program)
Amplifier Requirements:	Recommended for use with amplifiers 10 ~ 150 W (@ 8 $\Omega$ )

## DRIVE UNITS

Low Frequency:	Two 6 1/2" (165 mm) high-efficiency, dynamically-balanced, magnetically-shielded woofers
Mid Frequency:	Two 5 1/4" (125 mm) high-efficiency, magnetically-shielded, mid-range drivers
High Frequency:	One 1" (25 mm) soft dome, high-efficiency, neodymium magnet, magnetically-shielded tweeter
Crossover Frequencies:	350 and 3,000 Hz

## AMPLIFIER

(BUILT-IN POWER AMPLIFIER FOR  
LOW-FREQUENCY SECTION)

Peak Output:	300 VA
Power Supply:	120 V~ 60 Hz
Power Consumption:	350 W (maximum), 7 W (standby)

## DIMENSIONS

(also see Figure 7 on page 11)

Width:	6 7/8" (175 mm); add 3 1/8" (79 mm) for foot bar
Height:	38 3/4" (984 mm)
Depth:	15 3/4" (400 mm)
Weight:	47 lb or 21.3 kg (each)

# SPECIFICATIONS – OVTR 3

## PERFORMANCE DATA

Frequency Range:	25 ~ 20,000 Hz
Sensitivity:	94 dB @ 2.83 V and 1 m (anechoic conditions)
Impedance:	8 $\Omega$ nominal
Maximum Peak Output:	115 dB (spl on program)
Amplifier Requirements:	Recommended for use with amplifiers 15 ~ 200 W (@ 8 $\Omega$ )

## DRIVE UNITS

Low Frequency:	Four 6 1/2" (165 mm) high-efficiency, dynamically-balanced, magnetically-shielded woofers
Mid Frequency:	Two 5 1/4" (125 mm) high-efficiency, magnetically-shielded, mid-range drivers
High Frequency:	One 1" (25 mm) soft dome, high-efficiency, neodymium magnet, magnetically-shielded tweeter
Crossover Frequencies:	350 and 3,000 Hz

## AMPLIFIER

(BUILT-IN POWER AMPLIFIER FOR  
LOW-FREQUENCY SECTION)

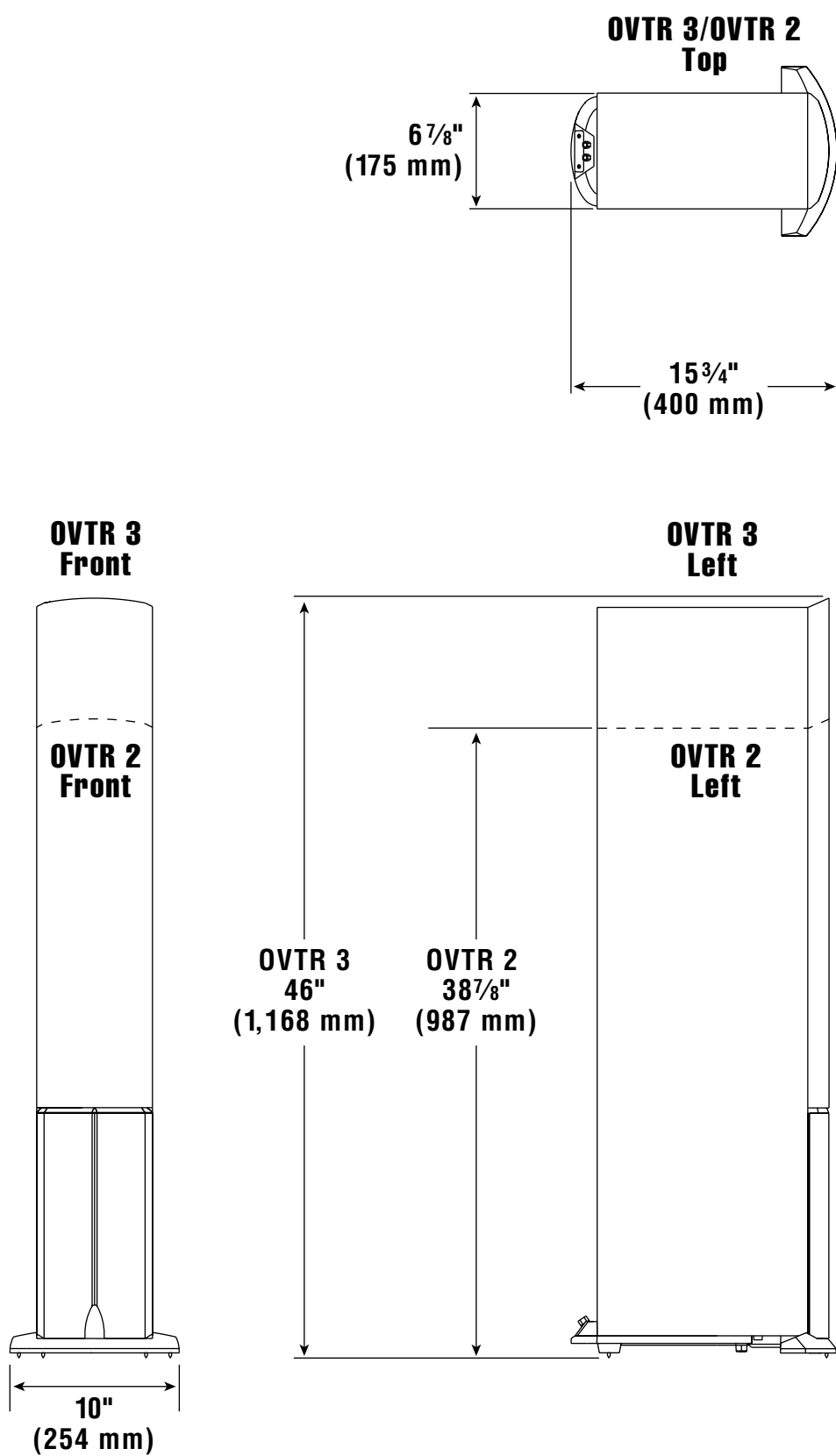
Peak Output:	500 VA
Power Supply:	120 V~ 60 Hz
Power Consumption:	500 W (maximum), 7 W (standby)

## DIMENSIONS

(also see Figure 7 on page 11)

Width:	6 7/8" (175 mm); add 3 1/8" (79 mm) for foot bar
Height:	46" (1,168 mm)
Depth:	15 3/4" (400 mm)
Weight:	59 lb or 26.6 kg (each)

Figure 7. Overall dimensions of the Compositions Overture OVTR 3 and OVTR 2 speakers.



# LIMITED FIVE-YEAR WARRANTY

## ***Who is protected by the warranty?***

Your Infinity warranty protects the original retail purchaser and all subsequent owners for a period of five (5) years (parts and labor) for all speaker components, and one (1) year (parts and labor) for all electronics, from any failure as a result of an original manufacturing defect so long as: (1) your Infinity loudspeakers were purchased within the fifty states of the U.S.A. or by military personnel from an authorized military outlet and (2) the original dated bill of sale is presented whenever service is required during the warranty period. This warranty does not apply to products purchased elsewhere; other purchasers should contact their local Infinity distributor for warranty information.

## ***What does the Infinity warranty cover?***

Except as specified below, this warranty covers all defects in original materials and workmanship. The following are not covered: damage caused by accident, misuse, abuse, neglect, product modification; damage occurring during shipment, damage caused by failure to follow instructions in the owner's manual, including failure to perform recommended periodic or routine maintenance; damage resulting from repairs by someone not authorized by Infinity; claims based upon any misrepresentations by the sellers; and any Infinity product on which the serial number has been altered, defaced or removed.

## ***Who pays for what?***

During the period of this warranty, subject to the above conditions, Infinity will pay all of the labor and material expenses to repair a warrantable defect.

## ***How can warranty service be obtained?***

In the event that your loudspeaker(s) should require service, only contact Infinity Customer Service at:

Infinity Systems, Inc., 20630 Nordhoff Street, Chatsworth, CA 91311 USA

VOICE: 818-407-0228; FAX: 818-709-7496

You will need to reference your original dated bill of sale to establish warranty coverage. Do not send your speaker(s) to us without prior authorization from our Customer Service department.

You are responsible for transporting your product to Infinity Customer Service and for payment of all shipping charges; however, we will pay the return shipping charges (in the event you return the product to us) if the repairs are covered by the warranty. If you experience difficulty in transporting your product or are in need of packing materials, please advise us and we may be able to suggest alternative procedures and/or adequate packaging materials.

**LIMITATION OF IMPLIED WARRANTIES:** All implied warranties, including fitness for a particular purpose and merchantability are limited in duration to the length of the warranty period for your product.

**LIMITATION OF INCIDENTAL OR CONSEQUENTIAL DAMAGES:** Infinity is not responsible for an incidental or consequential damage of any kind. Our liability is limited to the repair or replacement, at our option, of a defective product.

Some states do not allow limitations on how long an implied warranty lasts and/or do not allow the exclusion of incidental or consequential damages, so the above limitations or exclusions may not apply to you. This warranty gives you specific legal rights and you may also have other rights which vary from state to state.

***NOTE: In the event that there is a difference between this warranty and the provisions in any advertisements, product brochure or packaging cartons, the terms of this warranty will prevail.***

Infinity constantly strives to update and improve existing products, as well as create new ones. Therefore the specifications and construction details in this and related Infinity publications are subject to change without notice.

© 1996 Infinity Systems Inc., 20630 Nordhoff Street, Chatsworth, CA 91311 USA  
(818) 407-0228 • FAX (818) 709-9486



Infinity Systems, Inc.  
20630 Nordhoff Street  
Chatsworth, CA 91311, USA

(818) 407-0228 • FAX (818) 709-9486