

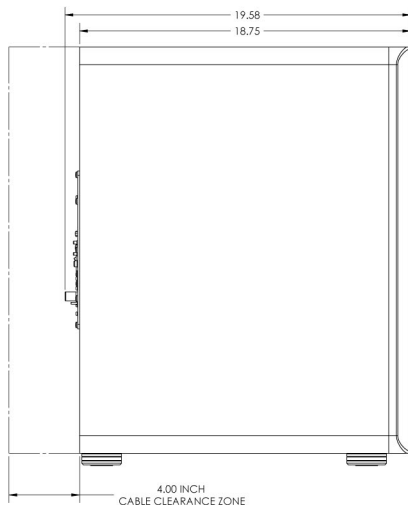
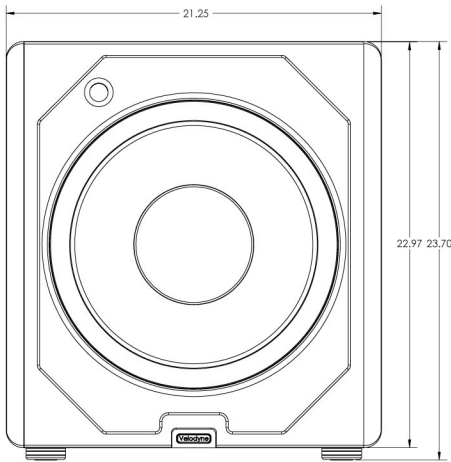
DD-18

THE REFERENCE STANDARD IN DIGITAL SERVO BASS REPRODUCTION



Features

- *The reference standard for bass reproduction*
- *Patented, digital high-gain servo assures minimal distortion*
- *Perfect room-bass interaction with patented DD software*
- *Patented ERS amp, 1250 watt RMS / 3000 watt Dynamic*
- *Remote control with six custom presets*



SPECIFICATIONS

Driver	18" forward firing (15.2" piston diameter)
Amplifier: Class D	3000 watts Dynamic 1250 watts RMS Power
Frequency Response	14 Hz to 120 Hz +/-3 dB
THD	<0.5% (typical)
High Pass Crossover	80 Hz at 6 dB/octave
Low Pass Crossover	15 Hz to 199 Hz (variable in 1 Hz increments) selectable slope Default: 80 Hz @ 24 dB/octave
Subsonic Filter	15 Hz to 35 Hz (variable in 1 Hz increments) selectable slope Default: 15 Hz @ 24 dB/octave
Phase	0° to 180° (variable in 15 degree increments)
Polarity	Adjustable (+/-)
Magnet Structure	380 ounces (24 lbs)
Voice Coil	Tandem 3-inch push-pull
Cone	Kevlar-reinforced resin
INPUTS	
LFE (Mono)	Line Level (RCA), Nominal Impedance 47K Balanced (XLR), Nominal Impedance 10K
Input (L&R)	Line Level (RCA)
Microphone	Balanced (XLR, cable included)
Speaker Level (L&R)	Bare wire, banana plugs, or spade lugs.
OUTPUTS	
Thru (L&R)	Line Level (RCA)
Output (L&R)	Line Level (RCA)
EQ Output	Line Level (RCA) for Test Signal L/R and Video (cables included)
Shipping Weight (approx)	120 lbs (54 Kg)
Dimensions (H/W/D) (inc. feet, grille & knobs)	23.7" x 21.25" x 19.6" (60.2 x 54 x 49.8 cm)
Included Accessories	Full feature remote control, Digital Drive Accessory Kit
Warranty (North America)	Three years (electronics), Five years (drivers)
Finishes	Black Gloss, Cherry or Maple